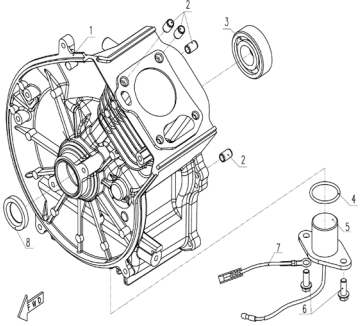


i25

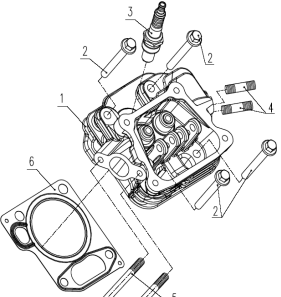
F011 CRANKCASE ASSY

	ITEM	CFMOTO PART NUMBER	DESCRIPTION_EN	QTY	REMARK
	1	CF-852021-00730	CRANKCASE SET	1	
	2	CF-852021-00159	DOWEL PIN 8X12	4	
	3	CF-852021-00160	ROLLING BEARING 6204C3	1	
	4	CF-852021-00161	O-RING 28X2.5	1	
	5	CF-852021-00162	OIL LEVEL SENSOR SET	1	
	6	CF-852021-00163	FLANGE BOLT M6X12	2	
	7	CF-852021-00164	ENGINE GROUNDED LINE	1	
	8	CF-852021-00165	OIL SEAL 20X32X5	1	

F012 CRANKCASE COVER ASSY

	ITEM	CFMOTO PART NUMBER	DESCRIPTION_EN	QTY	REMARK
	1	CF-852021-00680	CRANKCASE COVER	1	
	2	CF-852021-00166	FLANGE BOLT M6X12	7	
	3	CF-852021-00167	OIL SEAL 20X35X5	1	
	4	CF-852021-00168	OIL SEAL 15X2.5	1	
	5	CF-852021-00169	OIL FILTER PLUG	1	
	6	CF-852021-00170	ROLLING BEARING 6204C3	1	
	7	CF-852021-00171	WASHER 8	2	
	8	CF-852021-00172	PUDDLE OIL GEAR SHAFT	1	
	9	CF-852021-00173	PUDDLE OIL GEAR SET	1	
	10	CF-852021-00174	SHAFT CLIP 8	1	

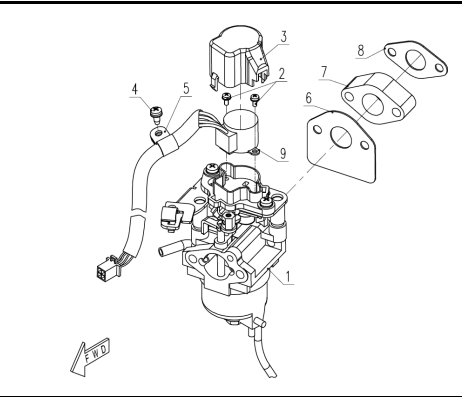
F013 CYLINDER HEAD ASSY

	ITEM	CFMOTO PART NUMBER	DESCRIPTION_EN	QTY	REMARK
	1	CF-852021-00681	CYLINDER HEAD SET	1	i20
		CF-852021-00175	CYLINDER HEAD SET	1	i25
		CF-852021-00176	CYLINDER HEAD SET	1	i27
	2	CF-852021-00177	FLANGE M6X50	4	
	3	CF-852021-00178	SPARK PLUG	1	ASRTC(TORCH)
	4	CF-852021-00179	STUD BOLT, EXHAUST PIPE	2	
	5	CF-852021-00180	STUD BOLT, CARBURETOR	2	
	6	CF-852021-00181	GASKET, CYLINDER HEAD	1	



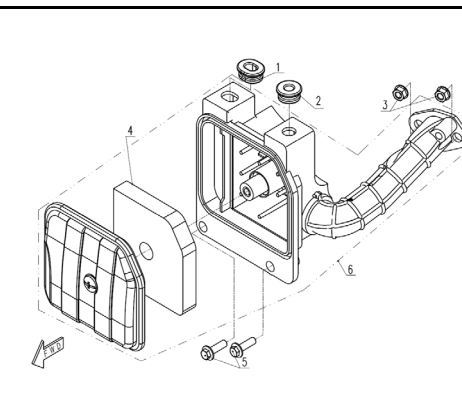
4	CF-852021-00200	PISTON	1	
5	CF-852021-00201	PISTON PIN CIRCLIP	2	
6	CF-852021-00202	PISTON PIN	1	
7	CF-852021-00203	ROD ASSY	1	
8	CF-852021-00204	CRANKSHAFT SET	1	
9	CF-852021-00205	WOODRUFF KEY	1	

F09 CARBURETOR ASSY



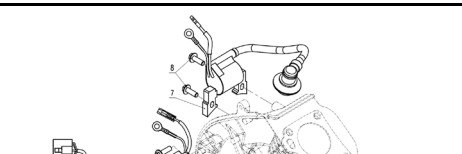
ITEM	CFMOTO PART NUMBER	DESCRIPTION_EN	QTY	REMARK
1	CF-852021-00685	CARBURETOR SET	1	
2	CF-852021-00206	SCREW AND WASHER M3X6	2	
3	CF-852021-00207	OUTER COVER, STEPPER MOTOR	1	
4	CF-852021-00208	SCREW AND WASHER ST5X15	1	
5	CF-852021-00209	CLIP	1	
6	CF-852021-00210	FRONT GASKET, ADAPTER	1	
7	CF-852021-00211	ADAPTER	1	
8	CF-852021-00212	REAR GASKET, ADAPTER	1	
9	CF-852021-00213	STEPPER MOTOR SET	1	

F10 AIR CLEANER ASSY

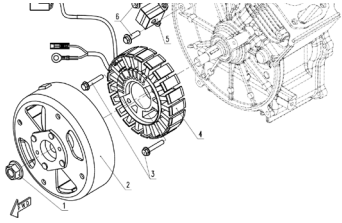


ITEM	CFMOTO PART NUMBER	DESCRIPTION_EN	QTY	REMARK
1	CF-852021-00686	FUEL TANK CUSHION 1	1	
2	CF-852021-00214	FUEL TANK CUSHION 2	1	
3	CF-852021-00215	FLANGE NUT M6	2	
4	CF-852021-00216	SPONGE ELEMENT	1	
5	CF-852021-00217	FLANGE BOLT M6X12	2	
6	CF-852021-00218	AIR CLEANER SET	1	

F31 MAGNETO ASSY

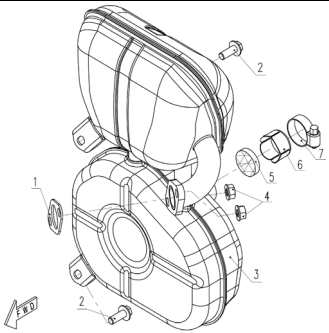


ITEM	CFMOTO PART NUMBER	DESCRIPTION_EN	QTY	REMARK
1	CF-852021-00687	FLANGE NUT M12X12.5	1	
2	CF-852021-00219	ROTOR SET	1	i20
	CF-852021-00220	ROTOR SET	1	i25



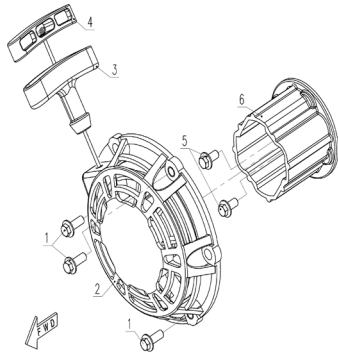
	CF-852021-00221	ROTOR SET	1	i27
3	CF-852021-00222	FLANGE BOLT M5X30	2	
4	CF-852021-00223	230V/50HZ STATOR SET	1	i20, AU/KR/CN/EU
	CF-852021-00224	230V/50HZ STATOR SET	1	i25, AU/KR/CN/EU
	CF-852021-00225	230V/50HZ STATOR SET	1	i27, AU/KR/CN/EU
	CF-852021-00226	120V/60HZ STATOR SET	1	i20, US/CAN
	CF-852021-00227	120V/60HZ STATOR SET	1	i25, US/CAN
	CF-852021-00228	120V/60HZ STATOR SET	1	i27, US/CAN
5	CF-852021-00229	PICKUP COIL ASSY	1	
6	CF-852021-00230	FLANGE BOLT M5X16	2	
7	CF-852021-00231	IGNITION COIL SET	1	
8	CF-852021-00232	FLANGE BOLT M6X18	2	

F32 EXHAUST SYSTEM ASSY



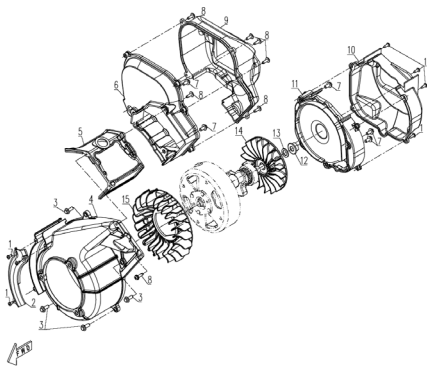
ITEM	CFMOTO PART NUMBER	DESCRIPTION_EN	QTY	REMARK
1	CF-852021-00688	EXHAUST PIPE GASKET	1	
2	CF-852021-00233	FLANGE BOLT M6X12	2	
3	CF-852021-00234	MIFFLER ASSY.	1	
4	CF-852021-00235	NUT M6	2	
5	CF-852021-00236	FLAME RETARDANT ELEMENT	1	
7	CF-852021-00237	LOCK CAP, FLAME RETARDANT ELEMENT	1	
8	CF-852021-00238	HOSE CLAMP 32	1	

F33 STARTING SYSTEM ASSY

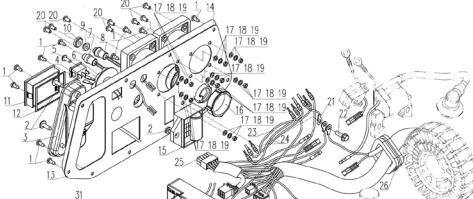


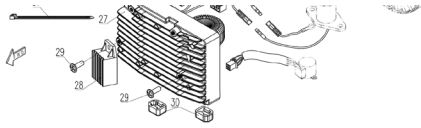
ITEM	CFMOTO PART NUMBER	DESCRIPTION_EN	QTY	REMARK
1	CF-852021-01014	FLANGE BOLT M6X16	3	
2	CF-852021-00239	RECOIL STARTER DISC SET	1	
3	CF-852021-00240	RECOIL STARTER HANDLEBAR	1	
4	CF-852021-00241	RECOIL STARTER HANDLEBAR COVER	1	
5	CF-852021-00242	FLANGE BOLT M6X12	2	
6	CF-852021-00243	RECOIL STARTER DRIVING DISC	1	

F35 COOLING SYSTEM ASSY

	ITEM	CFMOTO PART NUMBER	DESCRIPTION_EN	QTY	REMARK
	1	CF-852021-00690	SCREW AND WASHER ST4.2X12	7	
	2	CF-852021-00244	PRESSING LINE PLATE	2	
	3	CF-852021-00245	FLANGE BOLT M6X16	4	
	4	CF-852021-00246	FRONT AIR INLET COVER SET	1	
	5	CF-852021-00247	WIND SCOOPER	1	
	6	CF-852021-00248	FRONT COVER, UPPER MUFFLER	1	
	7	CF-852021-00249	FLANGE BOLT M6X12	5	
	8	CF-852021-00250	SCREW AND WASHER ST5X15	7	
	9	CF-852021-00251	REAR COVER, LOWER MUFFLER	1	
	10	CF-852021-00252	REAR COVER, REAR FAN	1	
	11	CF-852021-00253	MIDDLE COVER, REAR FAN	1	
	12	CF-852021-00254	FLANGE NUT M10X1.25	1	
	13	CF-852021-00255	WASHER 10.5X20X2	1	
	14	CF-852021-00256	REAR FAN	1	
	15	CF-852021-00257	FRONT FAN	1	

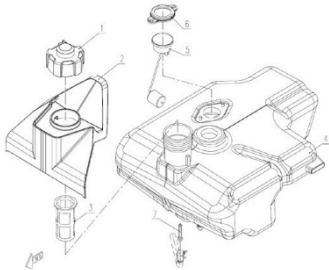
F36 CONTROL SYSTEM ASSY

	ITEM	CFMOTO PART NUMBER	DESCRIPTION_EN	QTY	REMARK
	0	CF-852021-00691	CONTROL PANEL ASSY (FUEL AND ELECTRICITY SWITCH SEPARATE)	1	
	1	CF-852021-00258	SCREW ST4.2X12	10	
	2	CF-852021-00259	SCREW AND WASHER ST5X15	3	
	3	CF-852021-00260	LIMIT PLATE, RECOIL STARTER HANDLEBAR	1	
	4	CF-852021-00261	ECO SWITCH SET	1	
	5	CF-852021-00262	SCREW AND WASHER M4X12	1	
	6	CF-852021-00263	FUEL SWITCH KNOB	1	
	7	CF-852021-00264	RESET BUTTON (GREEN)	1	
	8	CF-852021-00265	ENGINE STOP BUTTON (RED)	1	
	9	CF-852021-00266	FLANGE NUT M5	1	
	10	CF-852021-00267	KNIRLED NUT M5	1	
	11	CF-852021-00268	VFT LCD	1	
	12	CF-852021-00269	SEALING GASKET, VFT LCD	1	
	13	CF-852021-00270	CONTROL PANEL, 230V, FOR CIG SOCKET	1	AU/KR/CN/EU
		CF-852021-00271	CONTROL PANEL, 120V, FOR CIG SOCKET	1	AU/CAN



14	CF-852021-00272	CONTROL PANEL DECAL, 230V, FOR CIG SOCKET	1	AU/KR/CN/EU
	CF-852021-00273	CONTROL PANEL DECAL, 120V, FOR CIG SOCKET	1	AU/CAN
15	CF-852021-00274	TCI SET	1	
16	CF-852021-00275	CIG SOCKET SET	1	
17	CF-852021-00276	WASHER 4X8X0.5	8	
18	CF-852021-00277	SPRING WASHER 4	8	
19	CF-852021-00278	HEX NUT M4	8	
20	CF-852021-00279	SCREW AND WASHER M4X12	8	
21	CF-852021-00280	AC SOCKET GROUNDED LINE SET	1	OPTIONAL
22	CF-852021-00281	FLANGE BOLT M5X16	1	
23	CF-852021-00282	AC SOCKET GROUNDED CONNECTING LINE	1	
24	CF-852021-00283	AC SOCKET CONNECTING LINE	2	
25	CF-852021-00284	CABLE ASSY	1	
26	CF-852021-00285	CABLE PROTECTIVE HOSE	1	
27	CF-852021-00286	INVERTER MODULE, 230V	1	I20AU/KR/CN/EU
	CF-852021-00287	INVERTER MODULE, 230V	1	I25AU/KR/CN/EU
	CF-852021-00288	INVERTER MODULE, 230V	1	I27AU/KR/CN/EU
	CF-852021-00289	INVERTER MODULE, 120V	1	I20US/CAN
	CF-852021-00290	INVERTER MODULE, 120V	1	I25US/CAN
	CF-852021-00291	INVERTER MODULE, 120V	1	I27US/CAN
28	CF-852021-00292	REGULATOR	1	
29	CF-852021-00293	BOLT M6X12	2	
30	CF-852021-00294	SHOCK ABSORBING RUBBER BLOCK, INVERTER MODULE	2	

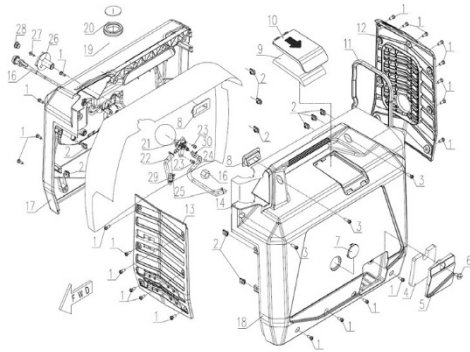
F37 FUEL SYSTEM ASSY



ITEM	CFMOTO PART NUMBER	DESCRIPTION_EN	QTY	REMARK
1	CF-852021-00692	FUEL TANK CAP SET	1	
2	CF-852021-00295	GASKET, FUEL TANK PORT	1	
3	CF-852021-00296	FUEL FILLING STRAINER ASSY.	1	
4	CF-852021-00297	FUEL TANK SET	1	
5	CF-852021-00298	FUEL LEVEL SENSOR SET	1	
6	CF-852021-00299	LIMIT HOSE, FUEL LEVEL SENSOR SET	1	
7	CF-852021-00300	FUEL OUTLET STRAINER ASSY.	1	

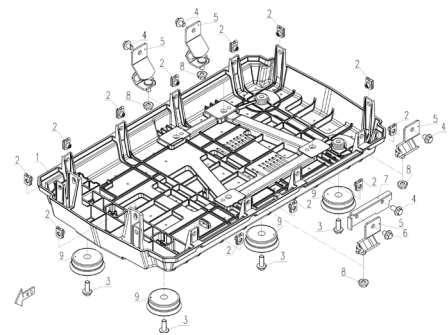
F38 OUTER HOUSING ASSY

ITEM	CFMOTO PART NUMBER	DESCRIPTION_EN	QTY	REMARK
1	CF-852021-00693	SCREW M5X12	22	
2	CF-852021-00301	CLIP NUT M5	10	



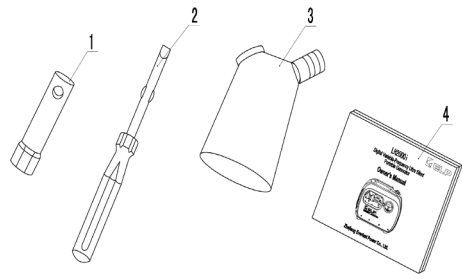
3	CF-852021-00302	SCREW MSX15	3	
4	CF-852021-00303	SOUND-ABSORBING SPONGE (OIL FILLING COVER)	1	
5	CF-852021-00304	OIL FILLING COVER	1	blue
6	CF-852021-00305	BOLT M6X13	1	
7	CF-852021-00306	DRAINING FUEL COVER, CARBURETOR	1	blue
8	CF-852021-00307	MOUNTING ABSORB CUSION 3, FUEL TANK	1	
9	CF-852021-00308	SOUND-ABSORBING SPONGE (SPARK PLUG COVER)	1	
10	CF-852021-00309	SPARK PLUG COVER	1	blue
11	CF-852021-00310	SEAL RING	1	
12	CF-852021-00311	MUFFLER OUTER COVER	1	
13	CF-852021-00312	AIR INTAKE COVER	1	
14	CF-852021-00313	SOUND-ABSORBING SPONGE (LEFT)	1	
15	CF-852021-00314	SOUND-ABSORBING SPONGE (RIGHT)	1	
16	CF-852021-00315	CHOKE CABLE ASSY	1	
17	CF-852021-00316	RIGHT OUTER COVER	1	blue
18	CF-852021-00317	LEFT OUTER COVER	1	blue
19	CF-852021-00318	LIMIT HOSE, FUEL LEVEL SCREEN	1	
20	CF-852021-00319	FUEL LEVEL SCREEN	1	
21	CF-852021-00320	GASOLINE SWITH ASSY	1	
22	CF-852021-00321	OUTLET PIPE, FUEL TANK	1	
23	CF-852021-00322	TAPPING SCREW ST4.2x13	2	
24	CF-852021-00323	FUEL INTAKEPIPE,CARBURETOR	1	
25	CF-852021-00324	CLIP Q671B8.5	2	
26	CF-852021-00325	MAIN SWITCH KNOB	1	
27	CF-852021-00326	CROSS RECESSED PAN HEAD TAPPING SCREW AND PLAIN WASH	1	
28	CF-852021-00327	stop cover	1	
29	CF-852021-00328	CLIP Q671B10	1	
30	CF-852021-00329	CLIP Q673B9	1	

F39 BASE PLATE ASSY



ITEM	CFMOTO PART NUMBER	DESCRIPTION_EN	QTY	REMARK
1	CF-852021-01015	BASE PLATE	1	
2	CF-852021-00330	CLIP NUT M5	12	
3	CF-852021-00331	FLANGE BOLT M6X16	4	
4	CF-852021-00332	BOLT M6X12	4	
5	CF-852021-00333	ENGINE SUPPORT SEAT	4	
6	CF-852021-00334	FLANGE BOLT M6X8	1	
7	CF-852021-00335	CONNECTING PLATE (LH), ENGINE SUPPORT SEAT	1	
8	CF-852021-00336	FLANGE NUT M6	4	
9	CF-852021-00337	GENERATOR SUPPORT SEAT	4	

F42 TOOL KIT

	ITEM	CFMOTO PART NUMBER	DESCRIPTION_EN	QTY	REMARK
	1	CF-852021-01016	SPARK PLUG SOCKET	1	
	2	CF-852021-00338	SCREWDRIVER	1	
	3	CF-852021-00339	ENGINE OIL POT	1	
	4	CF-852021-00340	OWNER'S MANUAL	1	
	5	CF-852021-00341	OIL BOTTE (400ML OIL)	1	
	6	CF-852021-00342	ANTI-DUST COVER	1	