

ACCESSORY SETUP INSTRUCTION

EXTENSION POWER ASSY -- PN 5ASV-800200-5000

Valid for: MY2024 UFORCE 600, UFORCE 1000 & UFORCE 1000 XL


BEFORE YOU BEGIN: Read and understand the instructions before starting any work. Make sure that all parts are ready and that you have all the tools required for assembly.


NOTE: CFMOTO shall not be liable for any damage caused by incorrect assembly. CFMOTO recommends that all original accessories be assembled by an authorized CFMOTO dealer.

Before assembly, park the vehicle on a flat surface, put the transmission gear into Park (P) and turn off the key switch.

Zhejiang CFMOTO Power Co., Ltd. All rights reserved. Reproduction of this document, even in part, as well as copying of all kinds, is permitted only with the express written permission of the copyright owner.

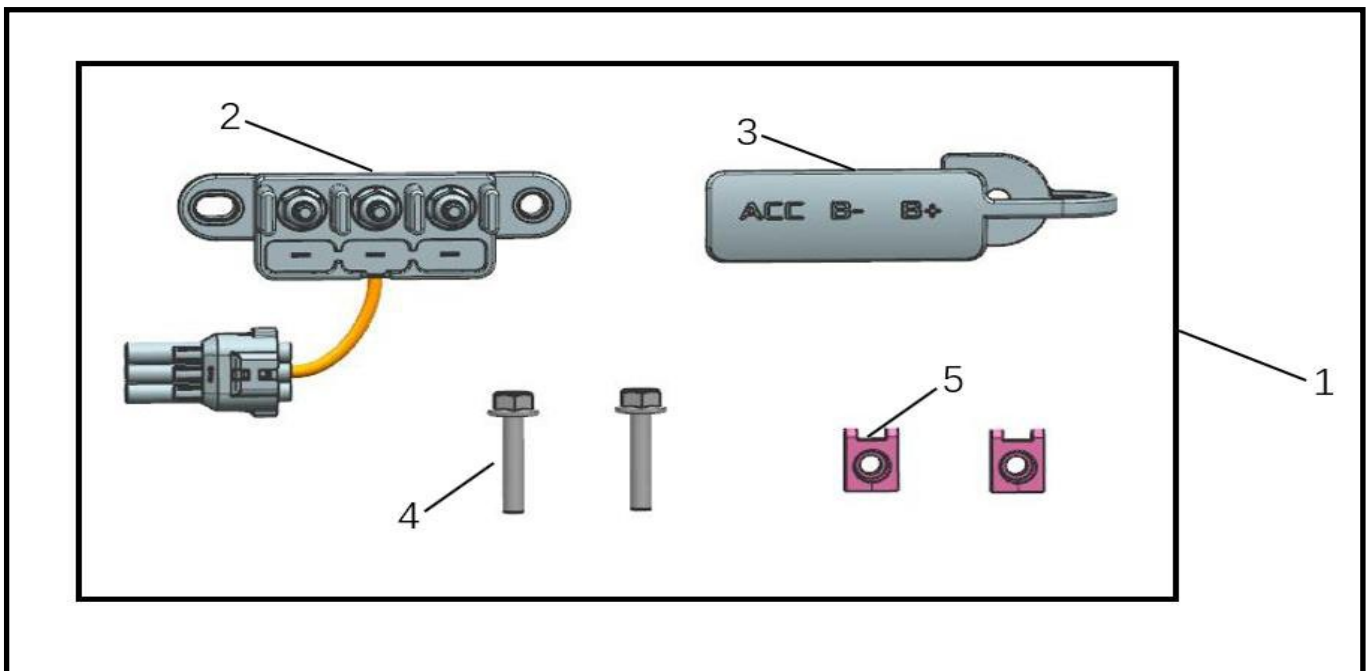
MEANING OF SYMBOLS

 - Indicates information with more details or tips.

 - Indicates information of warning or danger.

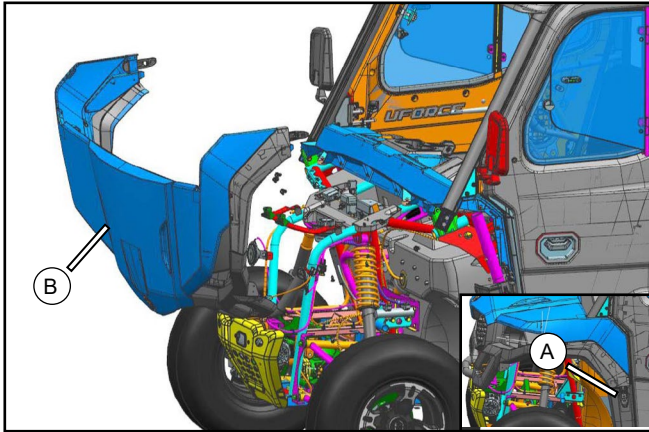
PARTS LIST:

ITEM	PART NAME	PART NUMBER	QTY.	REMARK
1	EXTENSION POWER ASSY	5ASV-800200-5000	1	For structure reference only
2	EXTENSION POWER MAIN BODY	5BWV-156905-5000-M1	1	
3	EXTENSION POWER TERMINAL CAP	5BWV-156906-5000-M1	1	
4	BOLT M6x30	30006-060030870	2	
5	NUT CLIP M6	8030-040800-00001	2	

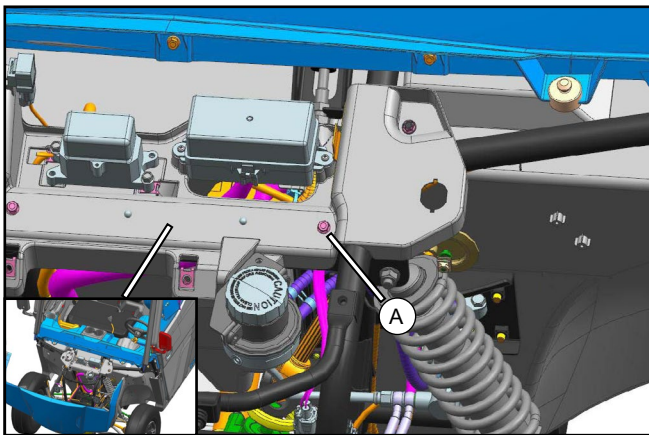


TOOL LIST:

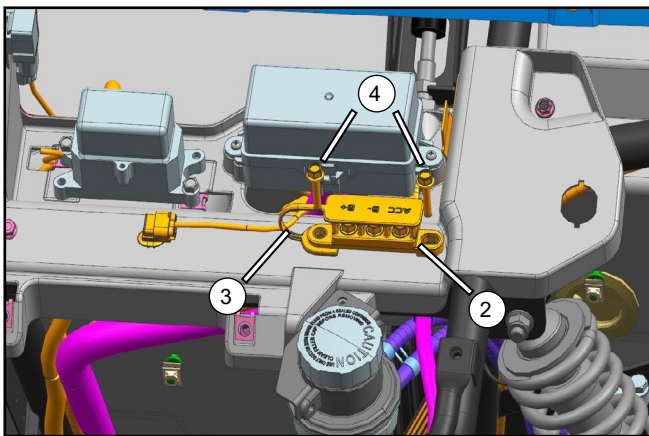
ITEM	DISCRIPTION	QTY.	DISCRIPTION
1	PROTECTIVE GLOVES	1	Recommended tools, which are not included in the package.
2	OPEN-END WRENCH S8-S10	1	



// Loosen the rubber buckles (A) on the LH and RH side, open and rotate the front top cover (B) to the position as shown.



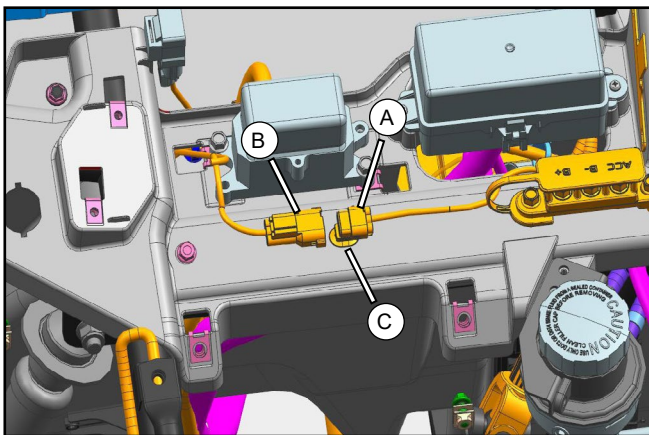
// Unscrew the bolt (A).



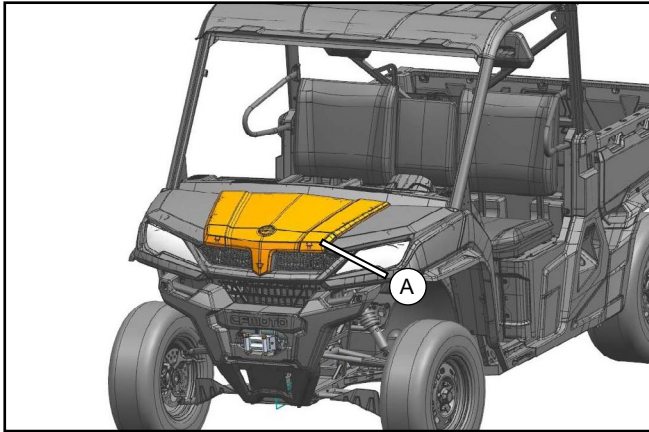
// Install the extension power terminal cap (3) and the extension power main body (2) at the corresponding position, install with bolts M6x30 (4) supplied.



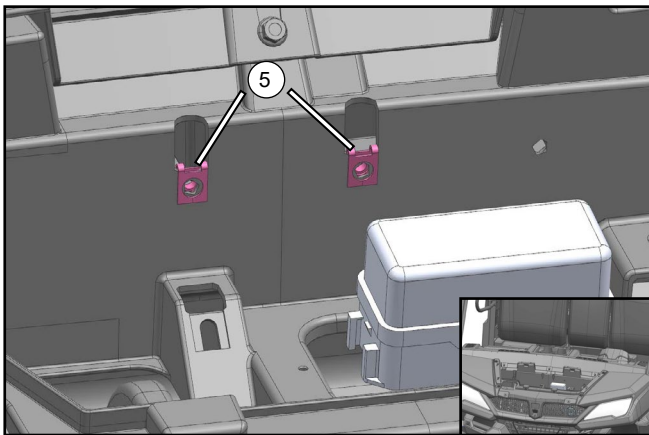
- Bolt M6x30 torque value: 8-12N·m.



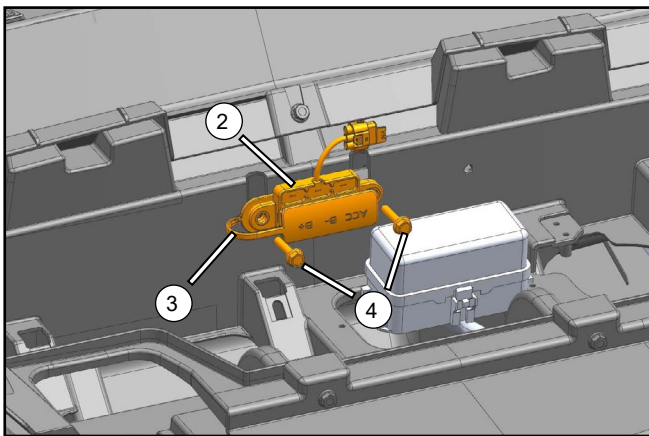
// Insert the extension power main body terminal (A) to the terminal of main cable (B), then fix them at location (C). The installation is complete, reinstall the front top cover.



// Disassemble the front top cover (A).



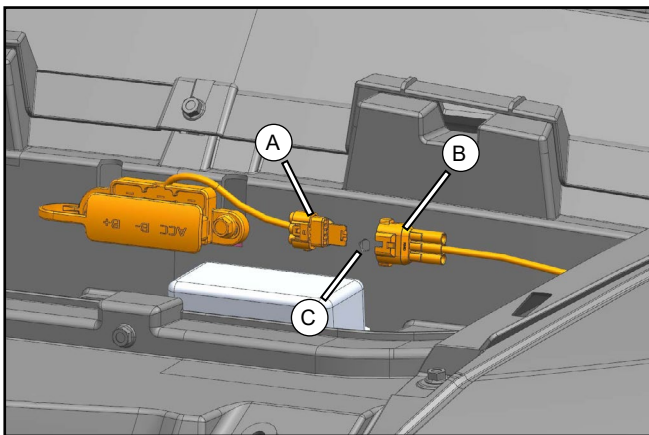
// Install the nut clip M6 (5) at the position as shown.



// Install the extension power terminal cap (3) and the extension power main body (2) at the corresponding position, install with bolts M6x30 (4) supplied.



- Bolt M6x30 torque value: 8-12N·m.



// Insert the extension power main body terminal (A) to the terminal of main cable (B), then fix them at location (C). The installation is complete, reinstall the front top cover.